



Republic of the Philippines
SOUTHERN LUZON STATE UNIVERSITY
Lucban, Quezon



REQUEST FOR QUOTATION

**RETROFITTING AND REHABILITATION OF LICUP BUILDING ONE STOREY CLASSROOM AT SLSU
TAYABAS CAMPUS (PMO)**

Purchase Request No. 2026-03-0929
Approved Budget for the Contract: ₱ 1,100,000.00

The Southern Luzon State University through the Bids and Awards Committee invites interested firms/supplier to submit quotation for the procurement of **Retrofitting and Rehabilitation of LICUP Building One Storey Classroom at SLSU Tayabas Campus (PMO)** to apply the sum of **One Million and One Hundred Thousand Pesos Only (₱ 1,100,000.00) inclusive of VAT**, being the **Approved Budget for the Contract (ABC)**, details as follows:

Qty.	Unit	ITEM/S DESCRIPTION
1	lot	Retrofitting and Rehabilitation of LICUP Building One Storey Classroom at SLSU Tayabas Campus

1. The quotation must be submitted (can also be sent thru email at the contact details listed below) or to the Office of the Procurement Office/Bids and Awards Committee, Southern Luzon State University, 2nd Flr. Hermano Puli Building, and shall be received by the Committee.

E-mail : slsuprourement@slsu.edu.ph

2. The SLSU reserves the right to reject any or all quotations and/or proposals and waive any formalities/ informalities therein and to accept such bids it may consider as most advantageous to the agency and to the government. Southern Luzon State University SLSU neither assumes any obligation for whatsoever losses that may be incurred in the preparation of bids, nor does it guarantee that an award will be made.


MARIDEL C. ZABELLA
Director, Procurement Office
Southern Luzon State University
Lucban, Quezon
Tel. No.: (042)540-6519

Republic of the Philippines
SOUTHERN LUZON STATE UNIVERSITY
Project Management Office
Lucban , Quezon

PROJECT TITLE: Retrofitting and Rehabilitation of Licup Bldg. One Storey Classroom at SLSU Tayabas Campus

PROJECT LOCATION: SLSU Tayabas Campus Brgy. Palale, Tayabas Quezon

OWNER : Southern Luzon State University

ABC : P 1,100,000.00

PROJECT DURATION : 90 CD

PROJECT BRIEF DESCRIPTION : Dismantling of old existing roofing & ceiling, fabrication, installation of new roofing including it's acc. ceiling and fixing of connection between concrete column and steel trusses.

SUMMARY

ITEM	DESCRIPTION	COST OF MATERIALS	COST OF LABOR AND EQUIPMENT	TOTAL
I	General Requirements			
II	Dismantling			
III	Steel Trusses			
IV	Tinsmithry			
V	Ceiling Works			
VI	Paint Works			
VII	Electrical Works			
VIII	Retrofitting Works (Connection of concrete column & steel trusses)			
			TOTAL ESTIMATED DIRECT COST	P
			OVERHEAD, CONTINGENCIES & MISC.(OCM)	P
	INDIRECT COST		CONTRACTOR'S PROFIT	P
			VALUE ADDED TAX (VAT)	P
			TOTAL PROJECT COST	P

Amount in Words :

Name of Bidder :



Republic of the Philippines
SOUTHERN LUZON STATE UNIVERSITY
Project Management Office
Lucban, Quezon

PROJECT TITLE: Retrofitting and Rehabilitation of Licup Bldg. One Storey Classroom at SLSU Tayabas Campus
PROJECT LOCATION: SLSU-Tayabas Campus Brgy. Palale, Tayabas Quezon
OWNER : Southern Luzon State University
MODE OF IMPLEMENTATION : by Contract
PROJECT DURATION: 90 CD

BILL OF QUANTITIES

I. General Requirements				
Quantity	Unit	Description	Unit Cost	Total Cost
1	lot	Mobilization		
1	lot	Project Identification & Signs, Tarpaulin with Marine Plywood Backing		
1	lot	Temporary Facilities		
1	lot	Safety & Health Program		
1	lot	Demobilization		
Sub - Total			P	

II. Dismantling of Roofings & Steel Trusses				
Quantity	Unit	Description	Unit Cost	Total Cost
	sq.m	Dismantling of old roofings & steel trusses		
Sub - Total			P	

III. Steel Trusses				
Quantity	Unit	Description	Unit Cost	Total Cost
	pcs	Angle Bar - 3mm x 50mm x 50mm x 6.00m		
	pcs	C-Purlins (G.I.) - 50mm x 100mm x 1.20mm x 6.00m		
	pcs	C-Purlins (G.I.) - 50mm x 150mm x 1.20mm x 6.00m		
	pcs	12mm ϕ Sag Rods (Plain Round Bars L=6.0m)		
	tanks	Oxygen		
	tanks	Acetylene		
	gal	Epoxy Primer		
1.00	lot	Consumables (Welding Rods, Paint Brushes, Cutting Discs, Etc.)		
Sub - Total			P	

IV. Tinsmithry				
Quantity	Unit	Description	Unit Cost	Total Cost
	lm	0.50mm thk PPGI Rib Type Roofing		
	pcs	0.50mm x 0.610m x 2.44m PPGI Ridge Roll		
	pcs	0.50mm x 0.610m x 2.44m PPGI Fascia Flashing		
	pcs	0.50mm x 0.619m x 2.44m PPG End Wall Flashing		
	pcs	12mm x 200mm x 2400mm Fascia Board		
	gal	Roof Sealant		
1	lot	Consumables (Blind Rivets, tekscrews, PVC Solvent Cement)		
Sub - Total			P	

V. Ceiling				
Quantity	Unit	Description	Unit Cost	Total Cost
	pcs	4.50mm thk Fiber Cement Board (1.22m x 2.44m)		
	pcs	19mm x 50mm x 5.0m Metal Furrings		
	pcs	12mm x 38mm x 5.0m Carrying Channels		
	pcs	25mm x 25mm Wall Angle		
1.00	lot	Consumables (Hanger Rods, W-Clips, Blind Rivets, Screws, Suspension Clips, etc.)		
Sub - Total			P	

VI. Paint Works				
Quantity	Unit	Description	Unit Cost	Total Cost

	gal	Flat Latex-White (two coats)		
	gal	Semi-Gloss Latex (two coats)		
	bags	Skim Coat (25 kgs)		
1.00	lot	Consumables (brush, roller, trays, sand paper, spatula Mesh Tape)		

Sub - Total P

VII. Electrical Works				
Quantity	Unit	Description	Unit Cost	Total Cost
	pcs	40 Watts Fluorescent Daylight Tube T-8		
	sets	Louver Type Luminaire w/ Aluminum Reflector (2x40w - Recessed)		
	box	THHN Wire 3.5 sq.mm		
	sets	Switch - 2 Gang Wide Series		
	lm	Flexible Hose 3/4"Ø		
1.00	lot	Consumables (Junction Box, Utility Box. Electric Tape)		

Sub - Total P

VIII. Retrofitting Works (Connection of concrete column & steel trusses)				
Quantity	Unit	Description	Unit Cost	Total Cost
	bags	Portland Cement		
	cu.m	Sand S-1		
1.00	lot	Consumables		

Sub - Total P

Republic of the Philippines
Southern Luzon State University
Project Management Office
Lucban, Quezon

PROJECT TITLE : Retrofitting and Rehabilitation of Licup Bldg. One Storey Classroom at SLSU Tayabas Campus

PROJECT LOCATION : SLSU Tayabas Campus, Brgy. Palale, Lucban Quezon

OWNER : Southern Luzon State University

PROJECT DURATION : 90 CD

SUBJECT : Scope of Works/Specifications

SCOPE OF WORKS/SPECIFICATIONS

I. GENERAL REQUIREMENTS

- Mobilization – Mobilization shall include all activities and associated cost for transportation of contractor's personnel, equipment and material supplies to the site.
- Construction of temporary facilities.
- Project Billboards – refer to the project engineer for the design/lay-out.
- Demobilization – Demobilization shall include all activities and cost for transportation of personnel, equipment and supplies not required or included in the contract from the site; including disassembly, removal and site clean-up of facilities assembled at the site.
- Safety & health program - This shall include the labor cost of first aider and material cost that will be used for construction, such as safety shoes, safety helmet, first aid kit/meds, and specialized PPE in the duration of building project including DOLE application.

II. DISTMANTLING OF EXISTING ROOFING & TRUSSES

- This work shall consist of removal of existing roofing and steel trusses as specified in the approved plans.

III. STEEL TRUSSES

- This work shall consist of fabrication and installation of roof trusses/framing including installation of purlins, sag rods, labor, tools, equipment and the satisfactory performance in undertaking the proper installation of the system as shown on the approved plans.

IV. TINSMITHRY

- This work shall include supply & installation of pre-painted rib type roofing including flashings, gutters, fascia boards, insulations and its accessories.

V. CEILING WORKS

- This item shall consist of furnishing and installing Fiber Cement Board ceiling frame materials including all the tools, labor and equipment necessary to complete the requirements as shown on the plans and in accordance with the specifications.

VI. ELECTRICAL WORKS

- All electrical works shall provide all materials and equipment and perform all the works necessary for the complete execution of the electrical system shown on the electrical drawings with the reference to the general construction drawings.
- Supply and installation of electrical fixtures.
- Supply and installation of electrical wire and cable.
- Supply and installation of electrical pipeline.

- All materials and equipment to be installed shall be of approved quality and should be presented to Southern Luzon State University/ Representative Engineer for approval prior to installation.
- All materials shall conform to the reference code and standard. Materials shall be subjected to test if necessary.

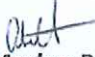
VII. PAINTING WORKS

- Consist of furnishing all items, articles, materials, tools, equipment, labor, scaffolding, ladder, methods and other incidentals necessary and required for the satisfactory completion of the works.
- All paint shall be recommended by the manufacturer for the use intended and shall be delivered to the jobsite in original containers with seal unbroken and labels intact
- All surface to receive paint should be cleaned and in proper condition. All knot holes, pitch pockets or sappy portions shall be shellacked or sealed with knot sealer

VIII. RETROFITTING WORKS

- This work includes fixing of connection between reinforced concrete column and steel trusses.


Prepared by:


Engr. Joe Marino P. Abutal
Assistant Planning Engineer

Reviewed by:


Engr. Joel E. Morales
Project Development Officer-1

Recommending Approval:


Engr. Melvin A. Makipagay
Director, Project Management Office

Approved by:


Dr. Frederick T. Villa
University President

Republic of the Philippines
SOUTHERN LUZON STATE UNIVERSITY
Project Management Office
Lucban, Quezon

Project : Retrofitting and Rehabilitation of Licup Bldg. One Storey Classroom at SLSU Tayabas Campus
Location Brgy. Palale Tayabas City, Quezon
Owner : Southern Luzon State University
Mode of Implementation : by Contract
Project Duration 90 Calendar Days

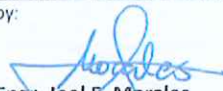
GANTT CHART/CONSTRUCTION SCHEDULE

Item	Description	Duration (days)	Duration (Days)													
			7	14	21	28	35	42	49	56	63	70	77	84	90	
I	GENERAL REQUIREMENTS															
	Mobilization	7														
	Demobilization	7														
	Temporary Facilities	77														
	Project Identification	7														
	Safety Health Program	83														
II	DISTMANTLING OF ROOFING, TRUSSES, CEILING															
	Dismantling of old roofings, steel trusses & ceilings	21														
III	STEEL TRUSSES															
	Fabrication of Steel Trusses	21														
	Installation of Steel Trusses inc. purlins	21														
V	TINSMITHRY															
	Installation of Roofings	14														
	Installation of Prepainted Flashing	7														
VI	CEILING WORKS															
	Installation of Ceiling Metal Frames	14														
	Installation of Fiber Cement Board	14														
VII	PAINTING WORKS															
	Surface Preparation	7														
	Application of Paints	7														
VIII	ELECTRICAL WORKS															
	Electrical Works	14														
IX	RETROFITTING WORKS															
	Fixing of connection between concrete column and steel trusses	7														

Prepared by:


Engr. Joe Marino P. Abutal
Assistant Planning Engineer

Reviewed by:


Engr. Joel E. Morales
Project Development Officer-1

Recommending Approval:


Engr. Melvin A. Makipagay
Director, Project Management Office

Approved by:


Dr. Frederick T. Villa
University President

Republic of the Philippines
Southern Luzon State University
Project Management Office
Lucban, Quezon

PROJECT TITLE: Retrofitting and Rehabilitation of Licup Bldg. One Storey Classroom at SLSU Tayabas Campus

PROJECT LOCATION: SLSU-Tayabas Campus Brgy. Palale, Tayabas Quezon

OWNER: Southern Luzon State University

PROJECT DURATION: 90 CD

SUBJECT: Minimum Technical Personnel and Equipment

MINIMUM TECHNICAL PERSONNEL AND EQUIPMENT

QUANTITY	MINIMUM TECHNICAL PERSONNEL
1	Project Engineer
1	Structural Engineer w/ 40hrs Training (ASEP)
1	Foreman
1	Timekeeper/Warehouse Man
2	Skilled Worker
4	Unskilled Worker

QUANTITY	MINIMUM EQUIPMENT
1	Welding Machine
1	Electric Grinder
1	Electric Drill

Prepared by:


Engr. Joe Marino P. Abutal
Assistant Planning Engineer

Reviewed by:


Engr. Joel E. Morales
Project Development Officer-1

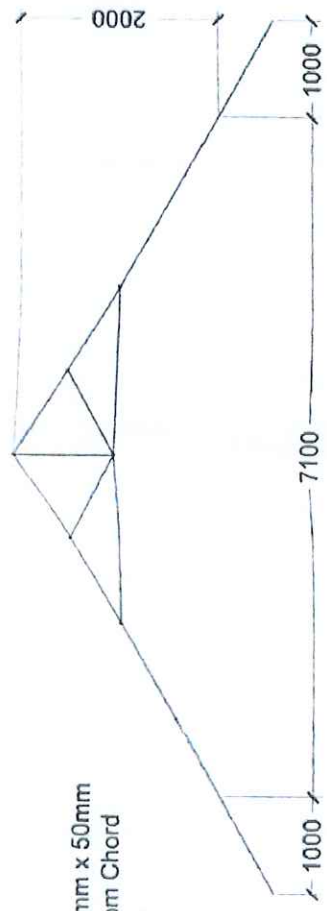
Recommending Approval:


Engr. Melvin A. Makipagay
Director, Project Management Office

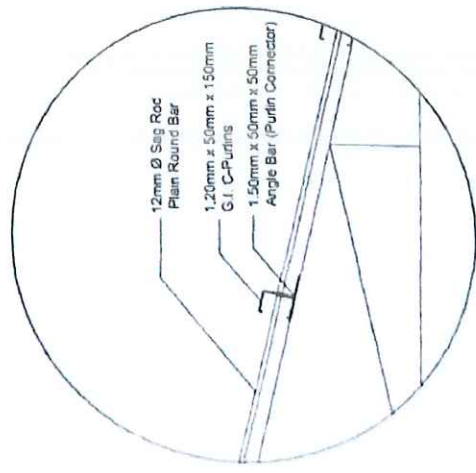
Approved by:


Dr. Frederick T. Villa
University President

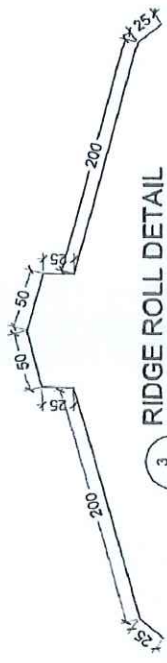
Use:
 2 L 3.00mm x 50mm x 50mm
 (Top Chord, Bottom Chord
 & Web Members)



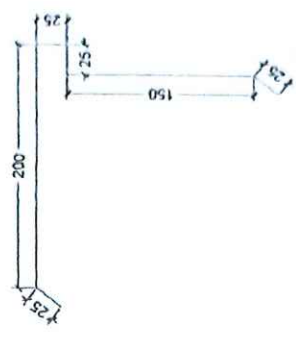
1 TRUSS-1 DETAIL
 R-3 SCALE 1:50



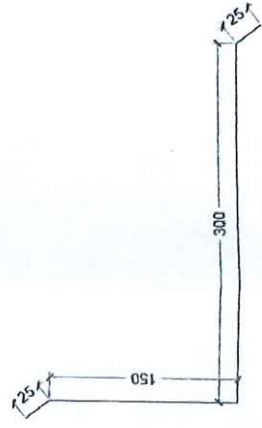
2 CONNECTION DETAILS
 R-3 SCALE NTS



3 RIDGE ROLL DETAIL
 R-3 SCALE 1:4



5 FASCIA FLASHING DET.
 R-3 SCALE 1:4



4 END WALL FLASHING DETAIL
 R-3 SCALE 1:4

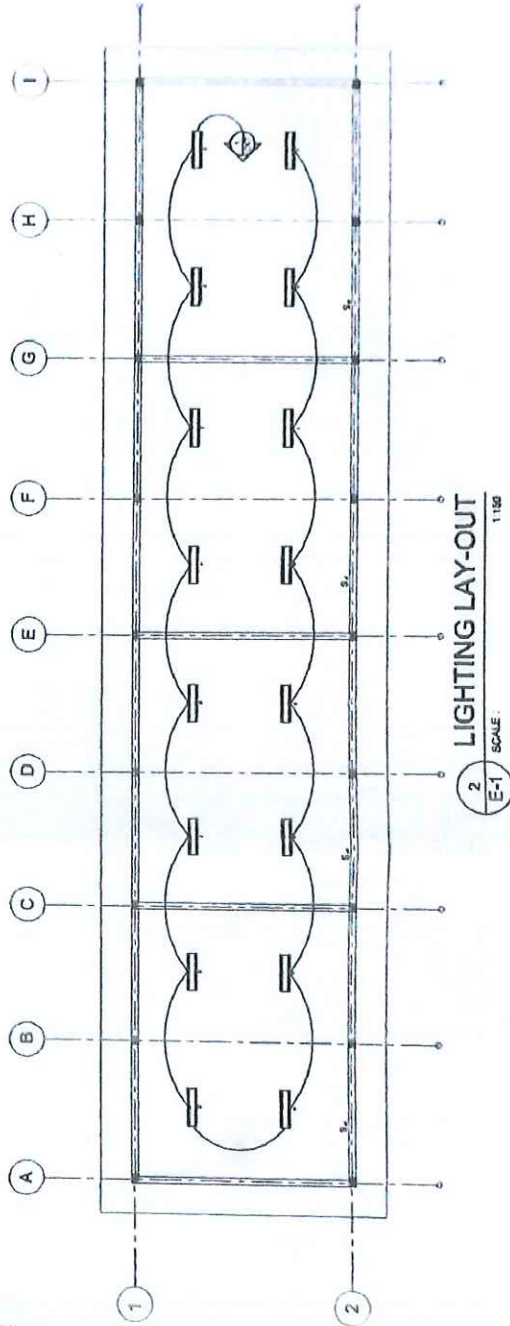
	PROJECT TITLE RETROFITTING AND REHABILITATION OF LUPAT BULBUL ONE STOREY CLASSROOM AT LESU TAYASAS CAMPUS	DRAWN BY ENGR. JOSE P. ABITAL (REGISTERED PROFESSIONAL ENGINEER)	REVIEWED BY ENGR. MELVIN MAQUINAGAY (REGISTERED PROFESSIONAL ENGINEER)	RECOMMENDING APPROVAL ENGR. MELVIN MAQUINAGAY (REGISTERED PROFESSIONAL ENGINEER)	APPROVED BY DR. FREDERICK T. VILLA (REGISTERED PROFESSIONAL ARCHITECT)	SHEET # R-3
	DATE: 10/10/2024 TIME: 10:00 AM LOCATION: LESU TAYASAS CAMPUS	PROJECT NO.: 1001 DRAWING NO.: R-3	CLIENT: LESU TAYASAS CAMPUS	DESIGNER: ENGR. JOSE P. ABITAL	CHECKER: ENGR. MELVIN MAQUINAGAY	APPROVED: DR. FREDERICK T. VILLA

GENERAL ELECTRICAL NOTES:

1. ALL ELECTRICAL WORKS SHALL BE IN ACCORDANCE WITH PROVISIONS OF THE LATEST EDITION OF THE PHILIPPINE ELECTRICAL CODE, REQUIREMENTS OF THE LOCAL AUTHORITIES ENFORCING THE CODE, AND REQUIREMENTS OF THE POWER SERVICE COMPANY CONCERNED.
2. ALL WIRES SHALL BE COPPER TYPE T.W. ON THE INTERMEDIATE METALLIC CONDUIT OR UNLESS OTHERWISE SPECIFIED.
3. ALL JUNCTION UTILITY, SQUARE AND PULL BOXES SHALL BE GAUGE #18 OR APPROVED EQUIVALENT, AND BE PAINTED WITH ONE COAT OF PRIMER PRIOR TO INSTALLATION.
4. ALL MATERIALS TO BE USED SHALL BE BRAND NEW AND OF THE APPROVED TYPE APPROPRIATE WITH THE LOCATION AND INTENDED USE.
5. POWER SUPPLY SHALL BE 240 VOLTS, SINGLE PHASE, 60 HZ, TWO WIRE SYSTEM.
6. ALL WORKS HEREIN SHALL BE DONE UNDER THE DIRECT SUPERVISION OF A DULY QUALIFIED LICENSED ELECTRICAL ENGINEER OR MASTER ELECTRICIAN.
7. MINIMUM SIZE OF CONDUCTORS SHALL BE 2.00mm² T.W. ON 15mm^ø TRADE SIZE.
8. MOUNTING HEIGHT FROM FINISH FLOOR LINE TO THE CENTER LINE OF DEVICES SHALL BE AS FOLLOWS:
 CONVENIENCE OUTLET 300mm
 LIGHT SWITCHES 1500mm
 PANEL BOARDS 1800mm
 ELECTRICAL METER 1500mm
 SERVICE ENTRANCE 5400mm
9. ALL VERTICAL AND HORIZONTAL CONDUIT SHALL BE CONCEALED OR EMBEDDED ON CONCRETE WALLS AND FLOORS.
10. ALL CONDUITS SHALL BE PROPERLY REAMED PRIOR TO INSTALLATION TO AVOID.
11. WORKMANSHIP OF THE WORK THROUGHOUT SHALL BE EXECUTED IN THE BEST AND MOST THOROUGH MANNER KNOWN TO THE TRADE TO THE SATISFACTION OF THE ARCHITECT AND THE ENGINEER.

LOAD DESCRIPTION	NO. OF FIXTURES	WATTS	TOTAL WATTS	PROTECTION			WIRE CONDUCTOR SIZE STRANDED COPPER	GROUNDING	CONDUIT
				AF	P	AT			
Fluorescent Lamp	32	40	1280	30	2P	30	2 - 3.50mm ²	1 - 3.50mm ²	20 mm
TOTAL WATTS = 1,280W									

1 LOAD SCHEDULE
E-1 SCALE: NTS



2 LIGHTING LAY-OUT
E-1 SCALE: 1/16

LEGEND :

- ▬ 2-40 WATTS FLUORESCENT LIGHT DAYLIGHT ON 300MM X 1200MM REFLECTIVE HOUSING
- S. 2 GANG SWITCH

 QUALIFIED ENGINEER	PROJECT TITLE	RECOMMENDING APPROVAL	APPROVED BY	SHEET #
	REPAIRING AND REHABILITATION OF LIGUP BUILDING ONE STOREY CLASSROOM AT ISLAD TAYABAS CAMPUS	ENGR. MELVIN A. MAJAPAGAY	DR. FREDERICK T. VILLA	E-1
DRAWN BY	REVIEWED BY	SHEET CONTENT		
ENGR. JOSE RICHARD P. ABAYON	ENGR. JOSE RICHARD P. ABAYON	GENERAL ELECTRICAL NOTES		
DATE	DATE	LIGHTING LAYOUT		